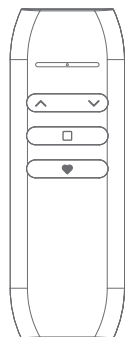


JCHR35W3A5/6/7/8

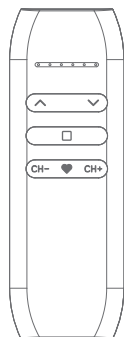
Remote Controller

User Manual

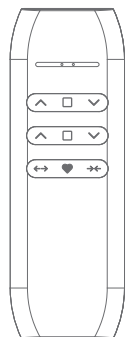
01 Product Info



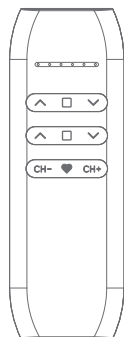
JCHR35W3A5



JCHR35W3A6



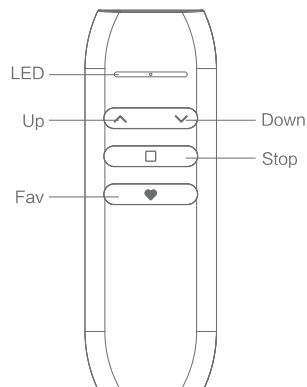
JCHR35W3A7



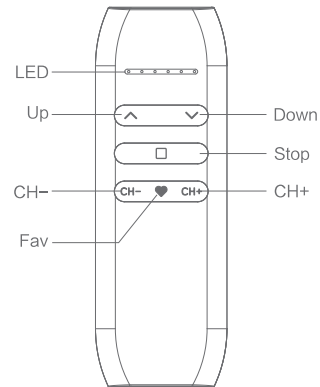
JCHR35W3A8

02 Buttons

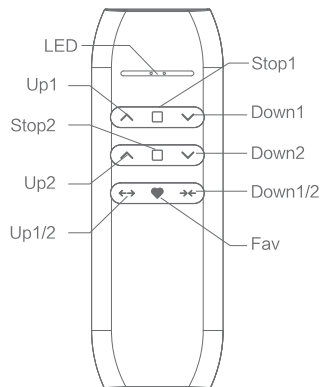
a.Front



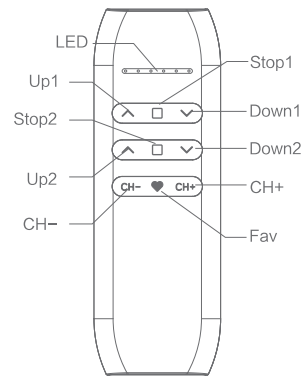
JCHR35W3A5
Single channel remote controller



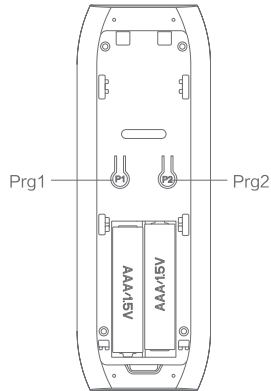
JCHR35W3A6
6-channel remote controller



JCHR35W3A7
Single channel dual control remote controller



JCHR35W3A8
6-channel dual control remote controller



03 Parameters(more info please refer to the nameplate)

Electrical Specification	Standard
Battery Type	AAA battery*2
Working Temperature	-10°C-50°C
Radio Frequency	433.92M±100KHz
Transmit Distance	>=30m indoor

04 Caution!



- 1.The transmitter should not be exposed to moisture or impact, so as not to affect its life
- 2.During use, when the remote control distance is significantly shorter or less sensitive, please check whether the battery needs to be replaced.
- 3.When the battery voltage is too low, orange LED flickers when you press button, indicating to replace battery.
- 4.Pls properly dispose of used batteries according to the local garbage classification and recycling policy.

05 Instruction

a. Prohibit Dual-key Operation

- ①

P1 or P2 x10s LED flickers x3 Dual-key operation prohibited
- ② Repeat the above, dual-key operation activated

Note: When dual-key operation prohibited, these programming setting functions are not allowed,such as limits setting.

b. Number of Channels Setting (Only apply to JCHR35W3A2 and JCHR35W3A4)

- Fav&CH+ x3s LED flickers x3 CH+ or CH-
Short press
- Choose channel number Short press LED flickers x2 Complete

c. For other operations, pls refer to the motor operation instruction